

6

5

4

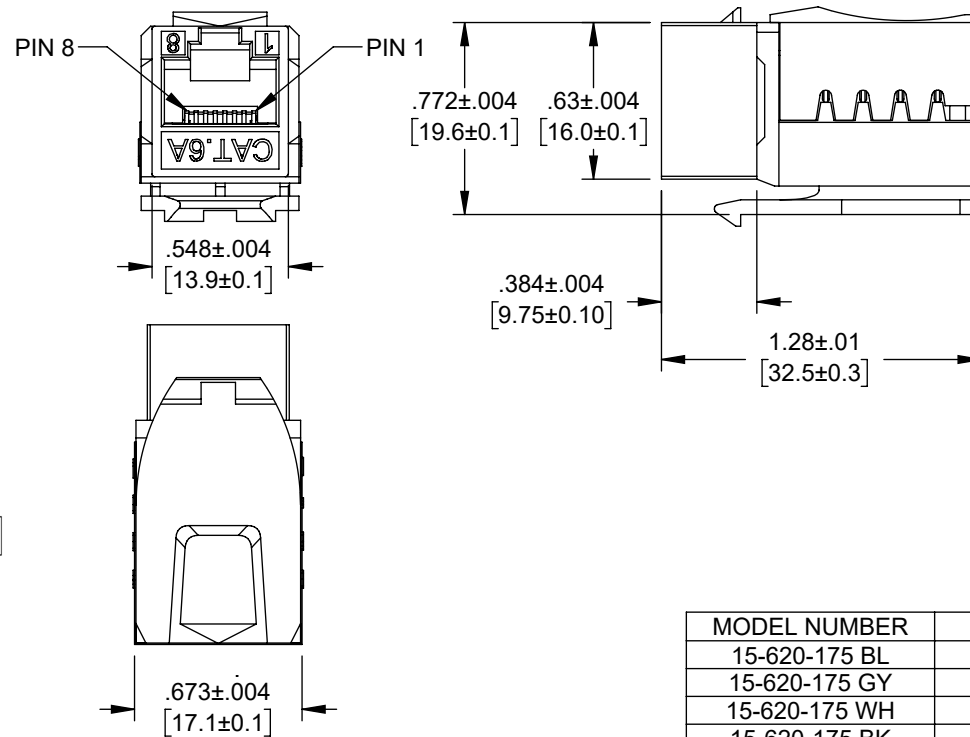
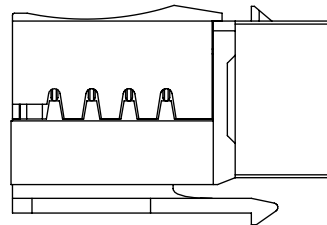
3

2

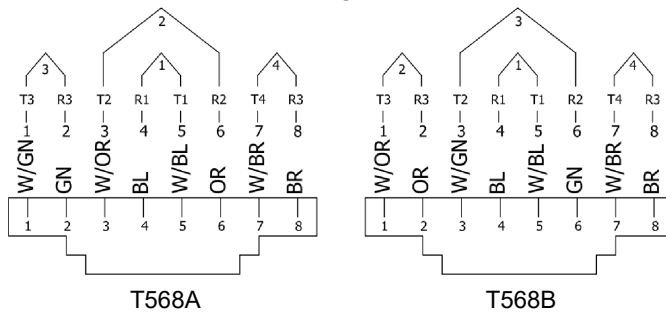
1

REVISION

ZONE	REV	DESCRIPTION	DATE	CHANGED BY	APPROVED
	B	ECO-15588	03/23/2026	TDUFRENE	DGUST



PIN ASSIGNMENTS



T568A

T568B

NOTES:

SPECIFICATIONS:

- JACK HOUSING: PLASTIC.
- JACK TERMINAL: PHOSPHOR BRONZE, 50μm GOLD ON PLUG CONTACT AREA.
- IDC HOUSING: PLASTIC.
- IDC TERMINAL: PHOSPHOR BRONZE, NICKEL PLATED.
- PCB: FR-4, T=1.6mm.
- OPERATION TEMPERATURE: -10°C TO 60°C.
- INSERTION FORCE: 900gms FOR 8 CONTACTS.
- RETENTION: 7.7kgs BETWEEN JACK AND PLUG.
- DURABILITY: 750 CYCLES CONTACT RESISTANCE TEST CHECK WITH SPEED 10mm/s.

ELECTRICAL:

- CURRENT RATING: 1.5AMPS.
- INSULATION RESISTANCE: 500MΩ.
- CONTACT RESISTANCE: 20mΩ.
- DC RESISTANCE: 0.1Ω.
- DIELECTRIC WITHSTANDING VOLTAGE: 500V.

THE INFORMATION CONTAINED IN THIS DRAWING IS THE SOLE PROPERTY OF INFINITE ELECTRONICS, INC. ANY REPRODUCTION IN PART OR WHOLE WITHOUT THE WRITTEN PERMISSION OF INFINITE ELECTRONICS, INC. IS PROHIBITED. THESE COMMODITIES, TECHNOLOGY OR SOFTWARE WERE EXPORTED FROM THE UNITED STATES IN ACCORDANCE WITH THE EXPORT ADMINISTRATION REGULATIONS. DIVERSION CONTRARY TO U.S. LAW PROHIBITED.

MODEL NUMBER	COLOR
15-620-175 BL	BLUE
15-620-175 GY	GREY
15-620-175 WH	WHITE
15-620-175 BK	BLACK
15-620-175 GN	GREEN
15-620-175 RD	RED
15-620-175 OR	ORANGE
15-620-175 YL	YELLOW
15-620-175 IV	IVORY

UNLESS OTHERWISE SPECIFIED
LEADING DIMENSIONS ARE INCHES
DIMENSIONS IN [] ARE MILLIMETERS

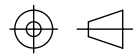
TOLERANCES:
 .X = ±.2 [5]
 .XX = ±.02 [0.5] ± 1/32
 .XXX = ±.005 [0.13] ANGLES ± 1°

CABLE LENGTH TOLERANCES:
 ≤12 [305] = +1 [25] / -0
 >12 [305] ≤ 60 [1524] = +2 [51] / -0
 >60 [1524] ≤ 120 [3048] = +4 [102] / -0
 >120 [3048] ≤ 300 [7620] = +6 [152] / -0
 >300 [7620] = +5% / -0

CABLE LENGTH TOL. IAW IPC A-620
 ALL DIMENSIONS ARE FOR REFERENCE ONLY
 AND SUBJECT TO CHANGE WITHOUT NOTICE
 UN-DIMENSIONED NON-CRITICAL FEATURES
 MAY VARY IN SIZE AND LOCATION
 COLORS MAY VARY

Show Me™
CABLES
 an INFINIT® brand

Website: www.ShowMcCables.com
 Phone: 1.888.519.9505



INTERPRET ALL DIMENSIONS AND
TOLERANCES PER ASME Y14.5

SCALE	SHEET
NONE	1 OF 1

DESCRIPTION
CAT6A RJ45 PUNCHDOWN KEYSTONE JACK - DUAL ROW

SIZE	CAGE CODE	DRAWN BY	ITEM NO.	REV
A	3SVT8	BPUCHASKI	15-620-175 XX	B

6

5

4

3

2

1